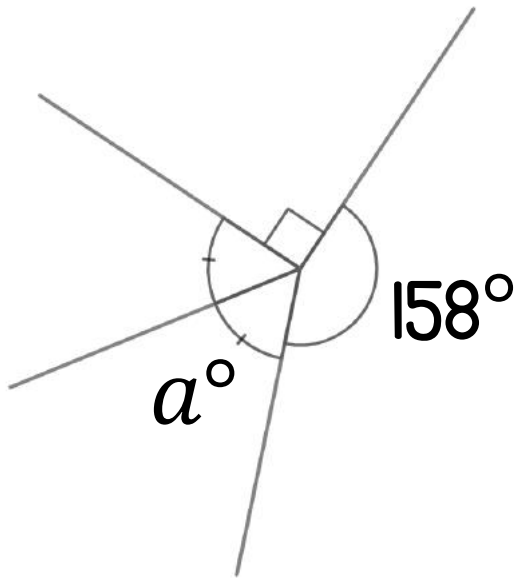




False

90° and 158° must be subtracted from 360°
before dividing by 2



$$a = 56^\circ$$