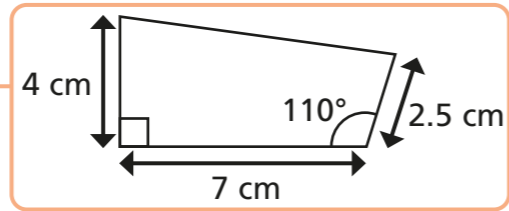


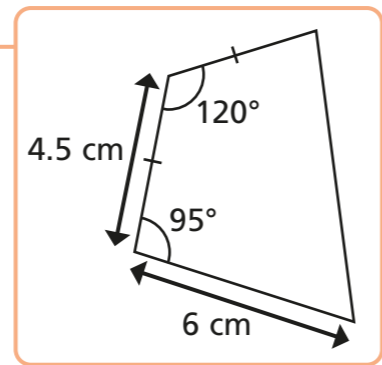
# Construct more complex polygons

1 Make accurate drawings of the shapes.

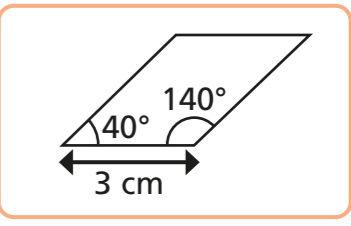
a)



b)

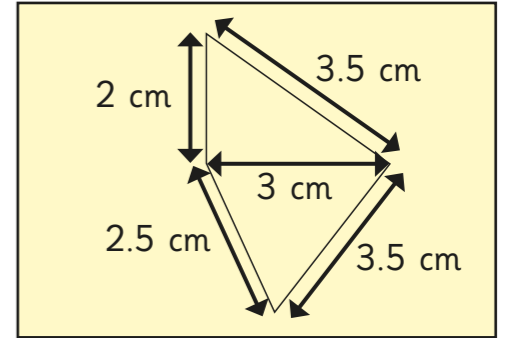


2 Make an accurate drawing of this rhombus.



3 Huan is making the outline of a logo.

Use a ruler and a pair of compasses to make an accurate construction of Huan's logo.

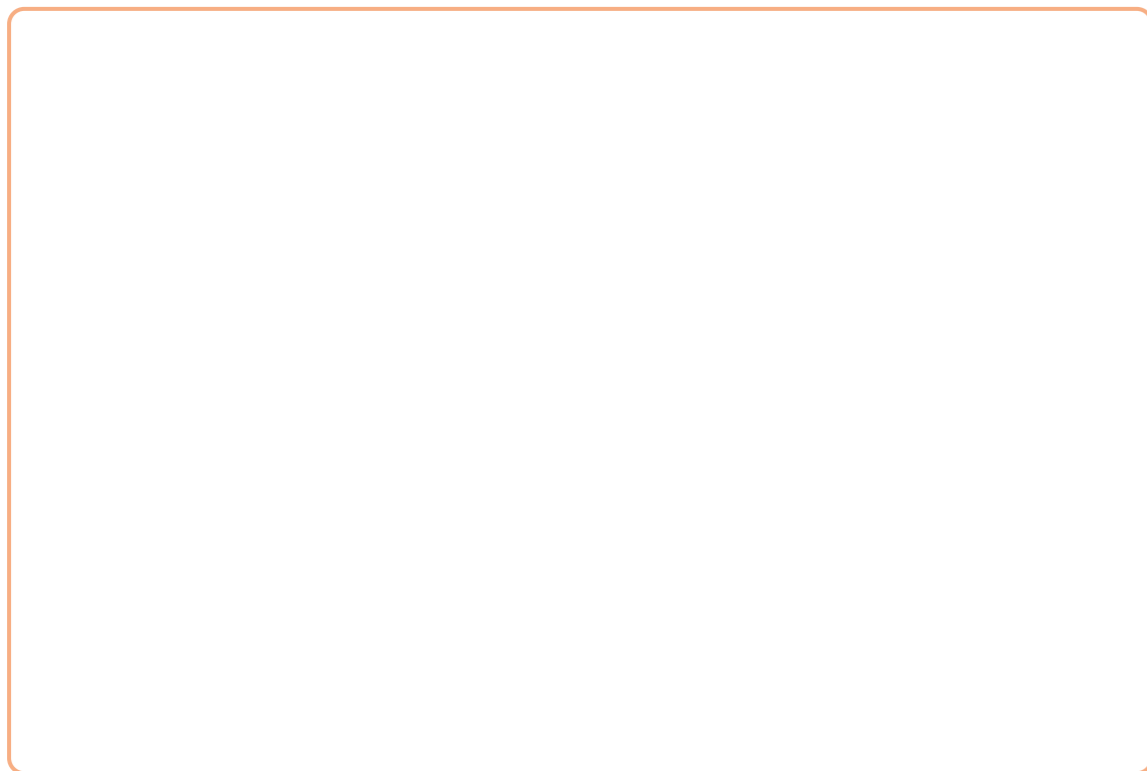


4 Draw a triangle that satisfies the information.

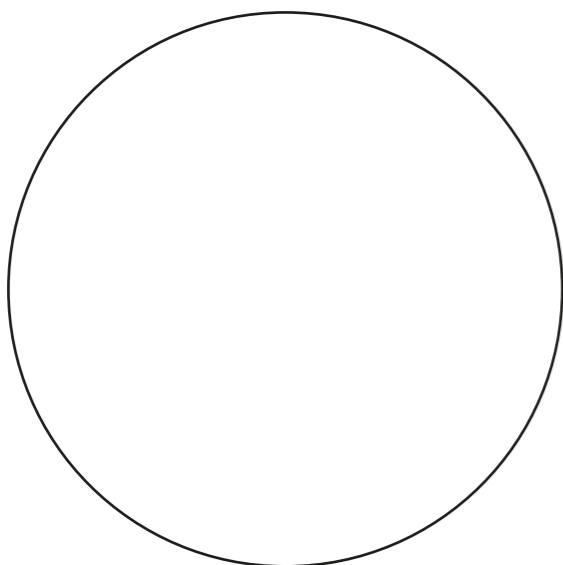
AB = 8 cm

BC = 6.5 cm

angle BAC =  $50^\circ$



5 Construct a regular hexagon inside the circle.  
List all the steps that you took.



---

---

---

---

---

---



6 a) Write a set of instructions for how to construct a parallelogram.

---

---

---

---

b) Practise drawing your own parallelograms.



c) Construct this parallelogram.

